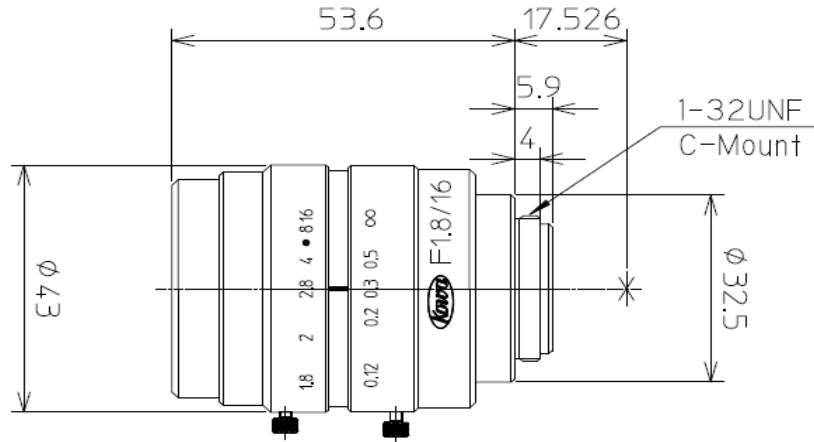




LM16JC5M



Model	LM16JC5M	
Focal Length (mm)	16	
Image Size (mm)	2/3" ($\phi 11$)	
Iris Range (F-Stop)	F1.8~16	
Iris Control	Manual	
Focus Control	Manual	
Focus Range (mm)	100~ ∞	
Back Focal Length (mm)	11.6	
Flange Focal Length (mm)	17.526	
Angle of View In Degrees (2/3")	Dia.	36.9
	Hor.	29.9
	Ver.	22.7
Field of View at 100mm (2/3")	Dia.	81.1
	Hor.	64.8
	Ver.	48.4
Clear Aperture (mm) Front	$\phi 24.5$	
Clear Aperture (mm) Rear	$\phi 16.6$	
Resolution (Center,Corner)	160lp/mm, 160lp/mm	
Distortion (TV)	0.03% (2/3") -0.07% (1/2") -0.06% (1/3")	
Exit Pupil Position (mm)	105.7	
Mount	C-Mount	
Filter Size (mm)	M34XP0.5	
Weight (g)	165	